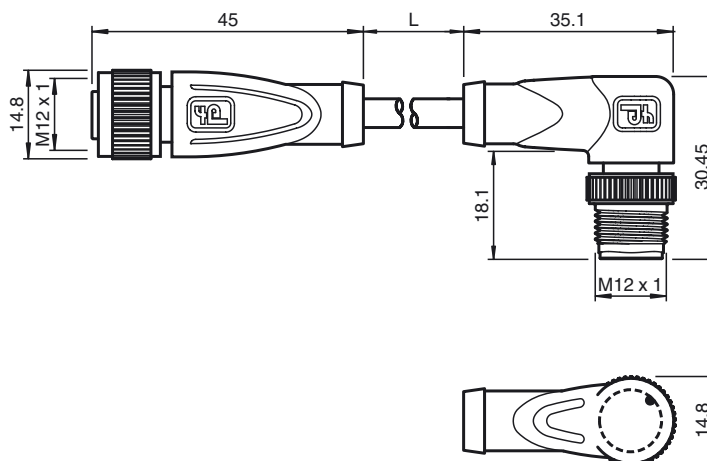




**Dimensions**



**Model Number**

**V1-G-2M-PVC-V1-W**

Connecting cable, M12 to M12, PVC cable 4-pin

**Features**

- Knurled nut suitable for tool assembly
- Immunity to vibration, with mechanical latching
- Gold-plated and machined contacts
- Degree of protection IP67 / IP68 / IP69K
- Suitable for 2-, 3- and 4-wire technology

**Technical data**

**General specifications**

Number of pins 4

**Electrical specifications**

Operating voltage  $U_B$  max. 250 V AC/DC  
 Test voltage  $> 1500 V_{eff AC}$   
 Operating current  $I_B$  max. 4 A  
 Volume resistance  $< 5 m\Omega$

**Ambient conditions**

Ambient temperature cable, fixed: -25 ... 70 °C (-13 ... 158 °F)  
 cable, flexing: -5 ... -70 °C (23 ... -94 °F)  
 Pollution degree 3

**Mechanical specifications**

Contact elements spring-loaded contact socket  
 Pin diameter 1 mm  
 Degree of protection IP67 / IP68 / IP69k  
 Material  
 Contacts CuSn / Au  
 Contact surface Au  
 Body TPU, green  
 Cable PVC  
 Slotted nut Diecast zinc  
 Sleeve connector Diecast zinc  
 Core insulation PVC  
 Cable fine-strand, flexible  
 Sheath diameter  $\varnothing 4.8 mm$   
 Bending radius  $> 10 x$  cable diameter, moving  
 Color grey  
 Cores  $4 x 0.34 mm^2$   
 Conductor construction  $19 x 0.15 mm \varnothing$   
 Length L 2 m

**Electrical connection**

